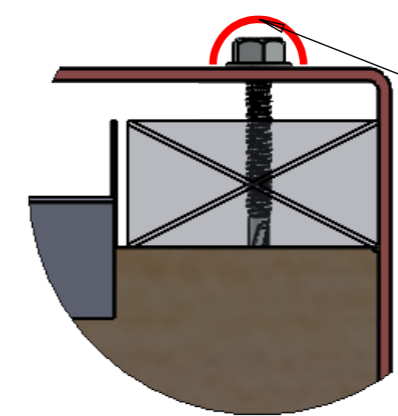
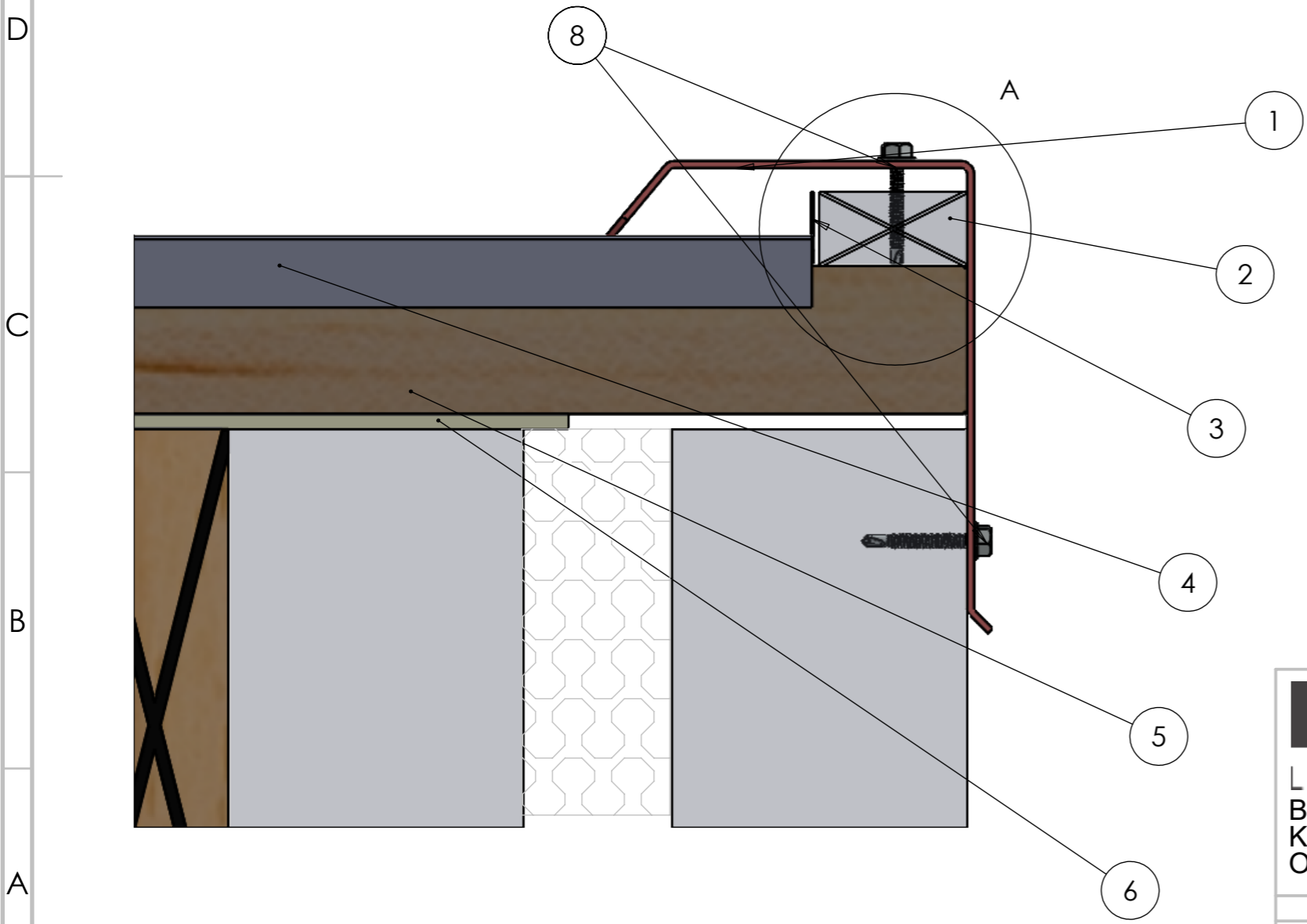
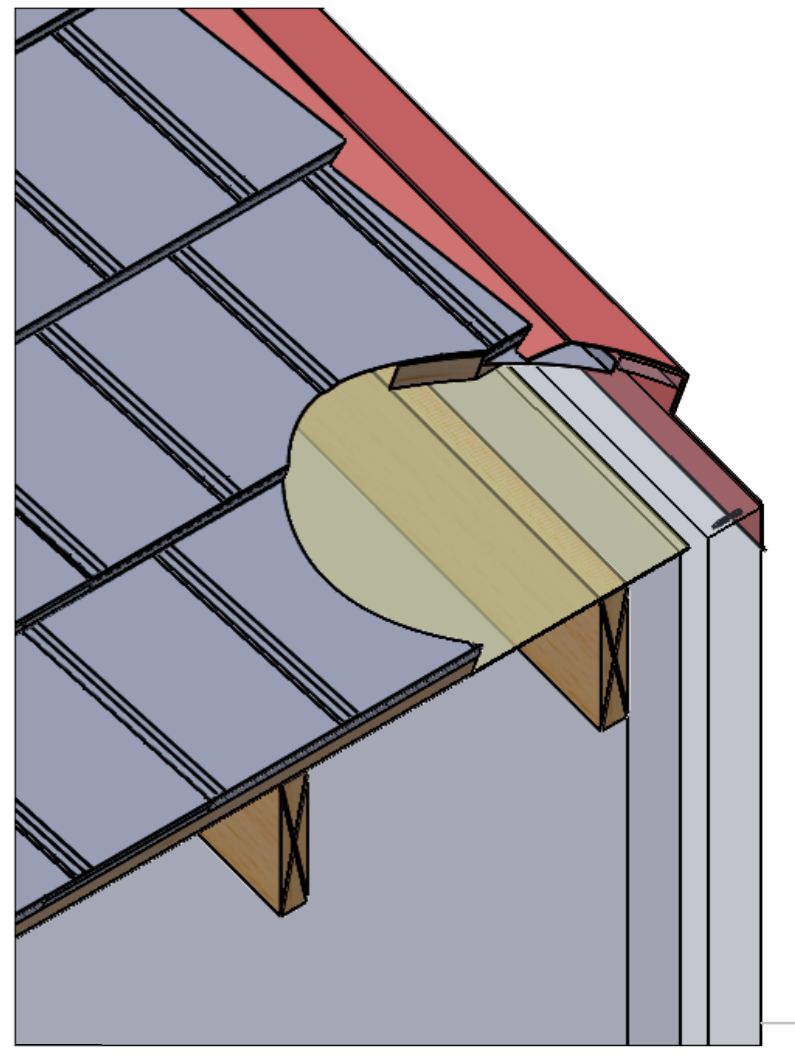


ITEM	DESCRIPTION	DETAIL
1	RH Barge	
2	Barge batten	50x25mm
3	Tile panel 25mm Upstand	Fold on site
4	Tile panel	Slate 2000 shown
5	Tile batten	50x50mm
6	Membrane	
8	Tec screw	40x8mm



DETAIL A

Touch up required

**BRITMET**  
 LIGHTWEIGHT ROOFING  
 Britmet Tileform Ltd  
 Kingfisher House, Unit 17  
 Overthorpe Road, Banbury, OX16 4SX

DO NOT SCALE DRAWING	REVISION
TITLE: Typ. Barge detail-Tile panel 0.9mm	
DWG NO. P90-Barge-01-A	
SCALE:DNS	SHEET 1 OF 1

	NAME	DATE	MATERIAL:
DRAWN			
CHK'D			

A3